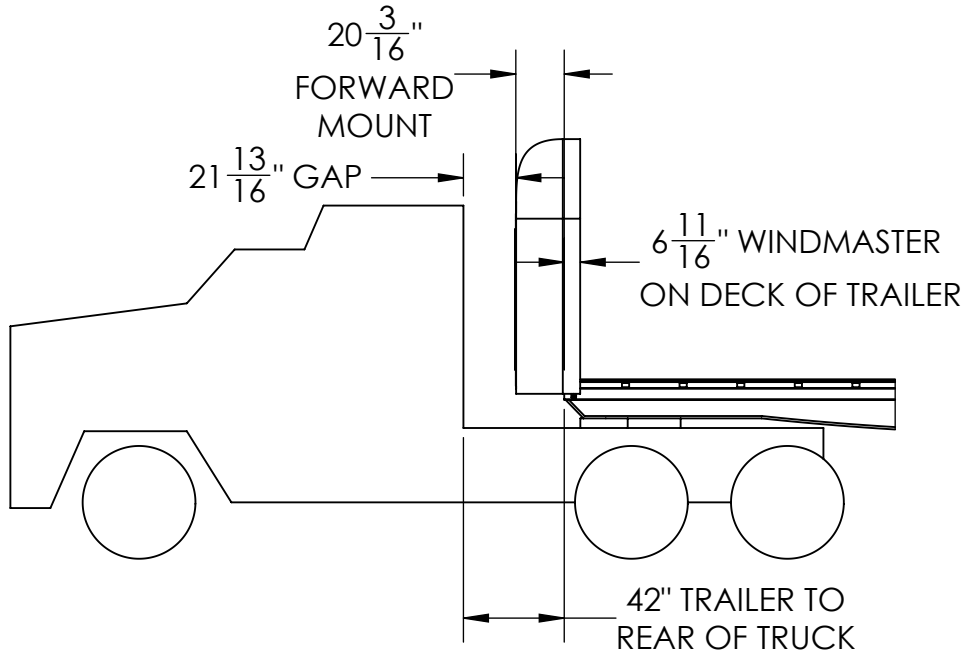
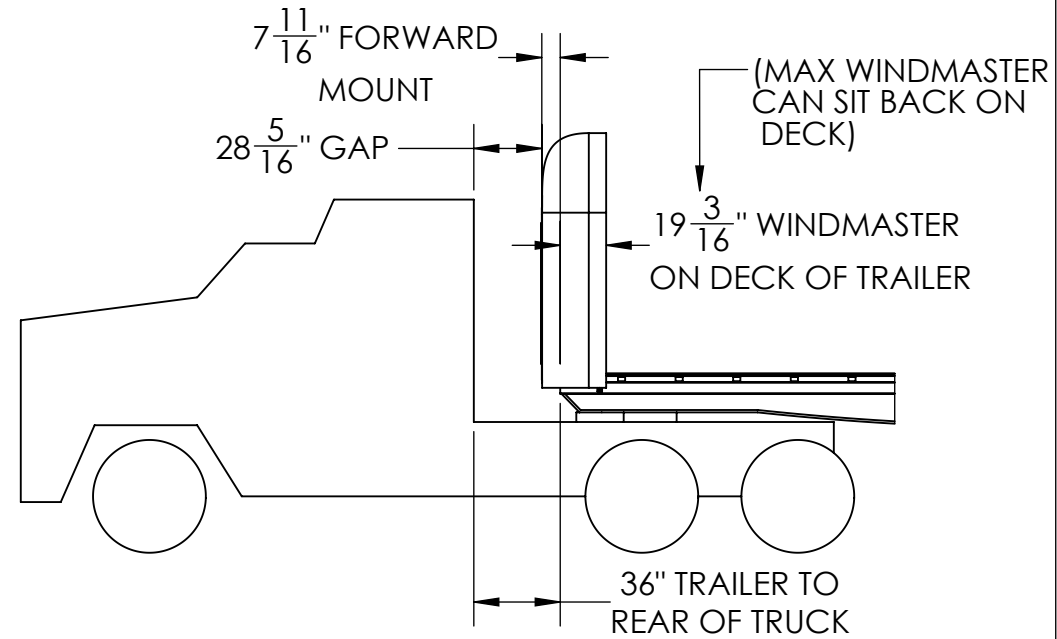


## STANDARAD WINDMASTER SWING CLEARANCE SETUP

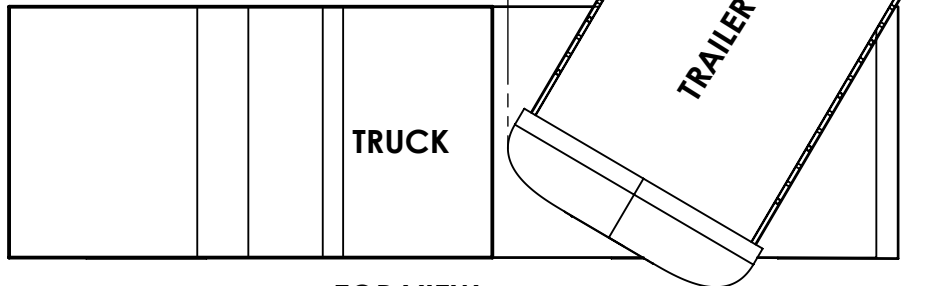


## LOW PROFILE WINDMASTER SWING CLEARANCE SETUP ( OPTIONAL)



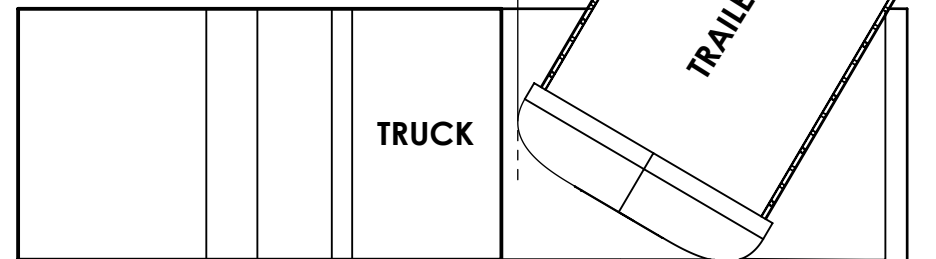
**NOTE: WINDMASTER CAN FIT ANYWHERE BETWEEN STANDARAD AND LOW PROFILE SETUP**

6" CRITICAL SWING CLEARANCE



TOP VIEW

6" CRITICAL SWING CLEARANCE



TOP VIEW



DRAWN BY	BALKARAN
MODIFIED DATE	1/13/2017
CREATED DATE	1/13/2017
MATERIAL	-
MTR-PRT #	-
QUANTITY	-
LOT SIZE	-

COMMENTS: ALL UNITS ARE IN INCHES UNLESS OTHERWISE STATED

THE INFORMATION CONTAINED IN THIS DRAWING IS THE SOLE PROPERTY OF LOAD COVERING SOLUTIONS LTD. BURLINGTON, ON. ANY REPRODUCTION IN PART OR AS A WHOLE WITHOUT THE WRITTEN PERMISSION OF LOAD COVERING SOLUTIONS LTD. BURLINGTON, ON IS PROHIBITED.

TITLE: WINDMASTER TURN RADIUS

LCS PART #

REVISION #	1
SHEET FORMAT	A
SHEET SCALE	1:25
WEIGHT	6
PRICE	-
PAGE	1 OF 1

LOAD COVERING SOLUTIONS.  
1052 Clinton Street  
Buffalo, NY 14206  
Phone: 1-877-790-5665  
Fax: 1-877-345-5623  
USA

LOAD COVERING SOLUTIONS.  
5499 Harvester Road  
Burlington, ON L7L 5V4  
Toll Free: 1-(800) 465-8277  
Local: (905) 335-2012  
Canada

